



Patent: ZL 2010 2 0625659.3



ISO9001、ISO14001 Certification Enterprises

Main Feature

1. Small size (23x16.2x10.2 in mm) produces a switching capacity up to 16A for high density P.C.Board mounting technique.
2. The contact form construction is 1A
3. The Surge Resistance of BPD series is 10,000V
4. Sealing Construction (Free from dust and solder flux):
BPD-SS: Plastic Sealed Type.
5. The selection of plastic insulation material is designed for high temperature and provides better chemical solution performance.
6. RoHS Compliant.

Application

Air Conditioning, Fridge, Washing Machine, etc Household Appliances

Contact Rating

- Nominal Load(Resistive Load Cos $\phi = 1$)
Contact Capacity
BPD-DM.....16A at 250VAC
 15A 125VAC
 TV-5 125VAC
- Max. Allowable Current
BPD-DM.....16A
- Max. Allowable Voltage
BPD-DM.....AC250V
- Max. Allowable Power Force
BPD-DM.....4,000VA
- Contact Material..... Ag Alloy
- Contact Form..... SPST

Performance (at Initial Value)

- Contact Resistance..... $\leq 50m\Omega$ at 6VDC/1A
- Operate Time.....10ms. Max
- Release Time..... 5ms. Max
- Dielectric Strength:
Between Coil & Contact.....2,200VAC at 50/60 Hz
 for one minute
Between Contacts.....1,000VAC at 50/60 Hz
 for one minute
- Surge Resistance.....10,000V (between Coil
 & Contact 1.2x50 μs)
- Insulation Resistance.....1,000 Mega Ω Min. at
 500VDC

- Max. On/Off Switching:
Electrical.....30 Ops per minute
Mechanical.....300 Ops per minute
- Temperature Range..... - 40~85 $^{\circ}C$
- Humidity Range.....5%~85% RH
- Coil Temperature Rise..... 35 $^{\circ}C$ Maximum
- Vibration:
Endurance.....10 to 55 Hz dual
 amplitude width 1.5mm
Error Operation.....10 to 55 Hz dual
 amplitude width 1.5mm
- Shock:
Endurance..... 981m/s² Min
Error Operation..... 98.1m/s² Min
- Life Expectancy:
Electrical.....10⁵ Operations at
 Rated Resistive
 load
Mechanical.....10⁷ Operations at
 No load condition
- Weight.....about 10g

Safety Standard & Its File Number

- UL.....E333244
- TUV.....R50209295
- CQC.....CQC10002042509

Coil Specification (at 20 °C)

Coil Sensitivity	Nominal Voltage (VDC)	Nominal Current (mA)	Coil Resistance ($\Omega \pm 8\%$)	Power Consumption (W)	Pull-In Voltage (VDC)	Drop-Out Voltage (VDC)	Maximum Allowable Voltage (VDC)
BPD-DM	3	66.7	45	Abt. 0.2	75% Maximum	10% Minimum	130%
	5	40	125				
	6	33.3	180				
	9	22.2	405				
	12	16.7	720				
	24	8.3	2880				
	48	5.2	9200				

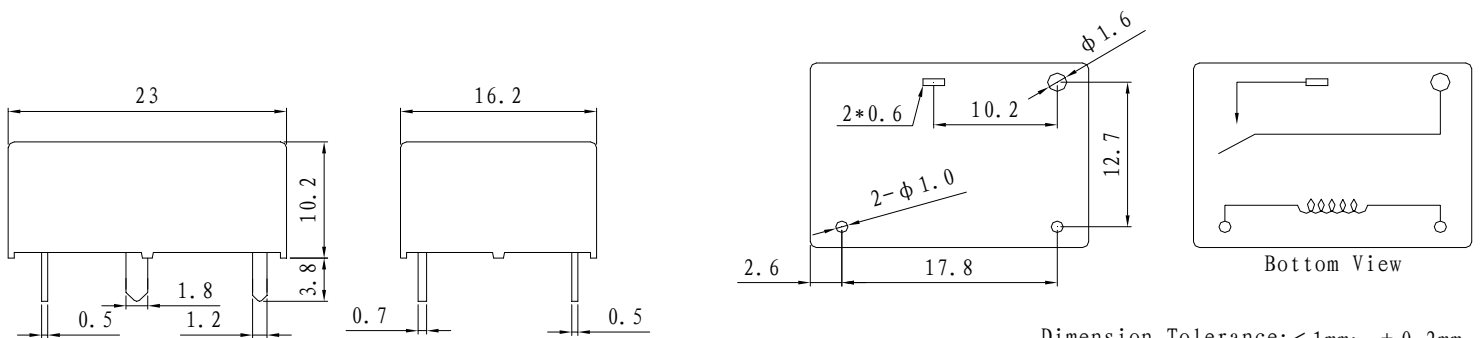
Ordering Information

BPD	-	SS	-	1	12	D	M	
								Contact Form: M:One form A
								Coil Type: D:Standard DC Coil
								Coil Voltage: 03:3V, 05:5V,06:6V,09:9V 12:12V,24:24V.48:48V
								Number of Pole: 1:One Pole
								Type of Sealing: SS:Plastic Sealed Type
								Type: BPD

Classification

Model	BPD
Coil Sensitivity	Standard DC Coil 1A
Plastic Sealed Type	BPD-SS-1□□DM

Dimension



Dimension Tolerance: < 1mm: ± 0.2 mm
 1--5mm: ± 0.3 mm
 > 5mm: ± 0.5 mm